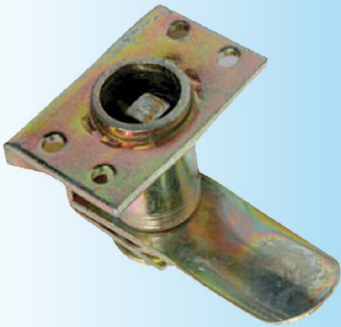
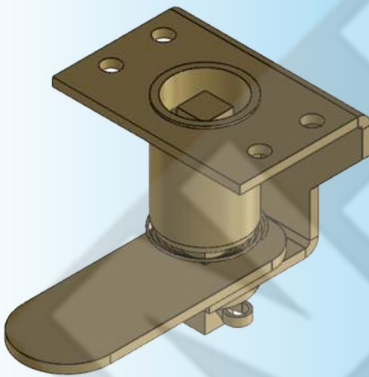


For Product Step File or 3D Model Send a Request Mail To info@nrack.com

Photo View

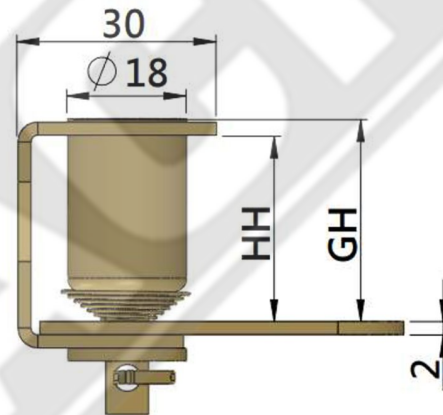
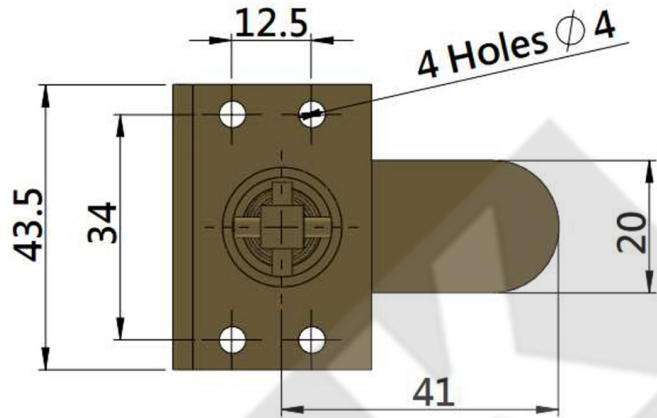


3D Rendered View

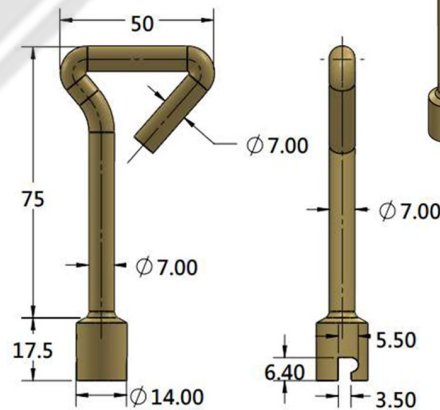


PL - 12

- Material: Steel-Body, Steel-Cam
- Finish: Zinc Yellow Plating



PL-12K



HOUSING HEIGHT	GRIPPING HEIGHT
15	20
20	25
25	30
30	35